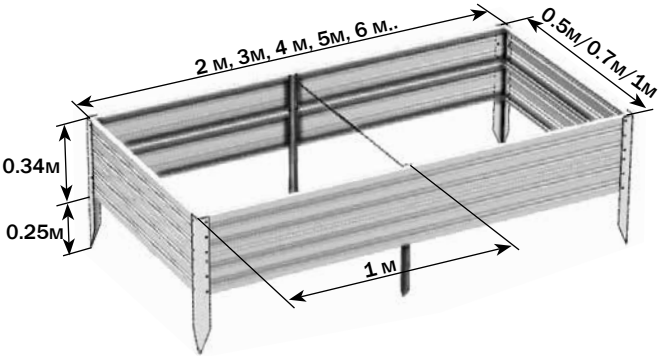
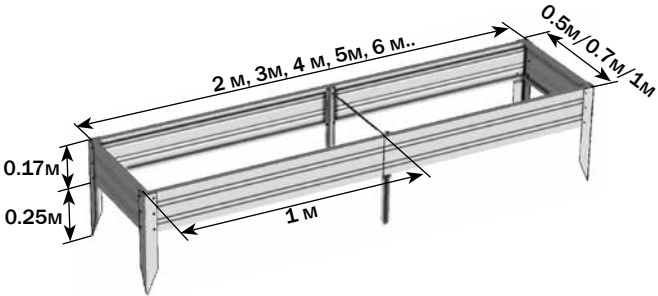
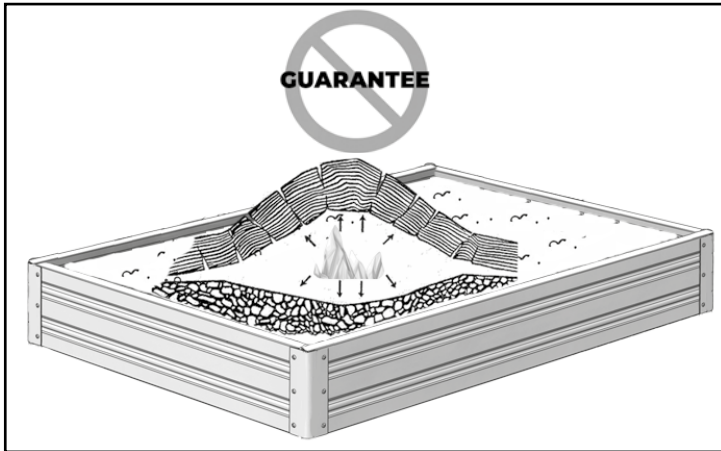


# PREMIUM model 2022

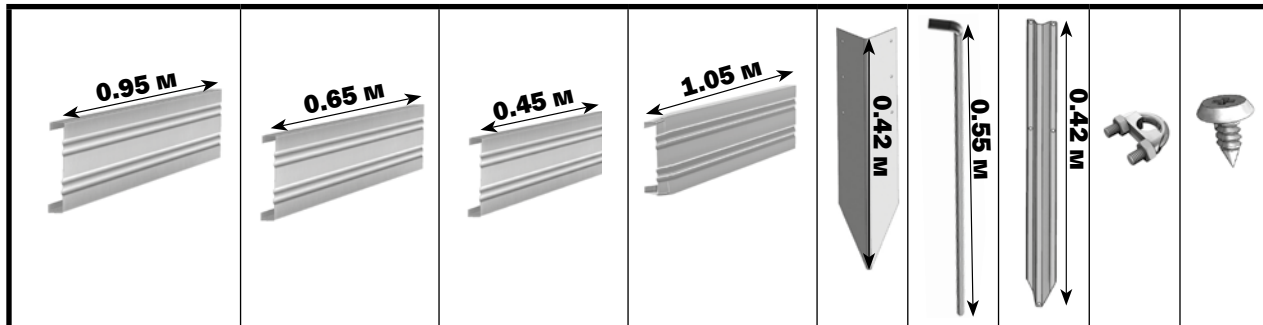
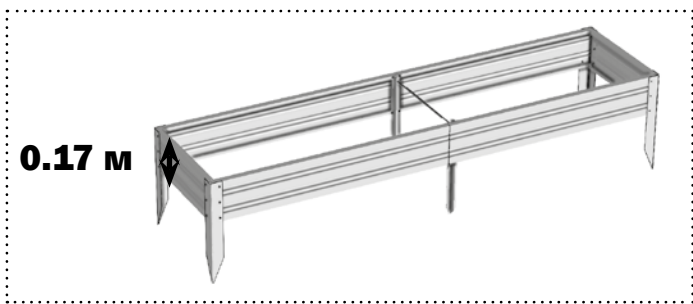




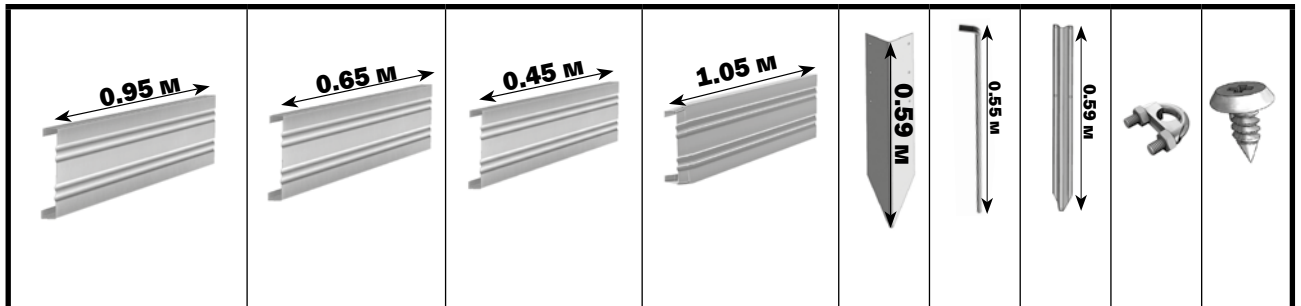
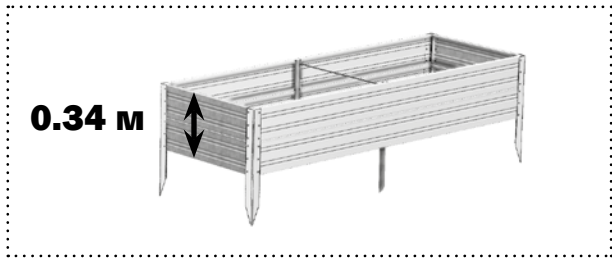
**100%  
GUARANTEE**

**12X**

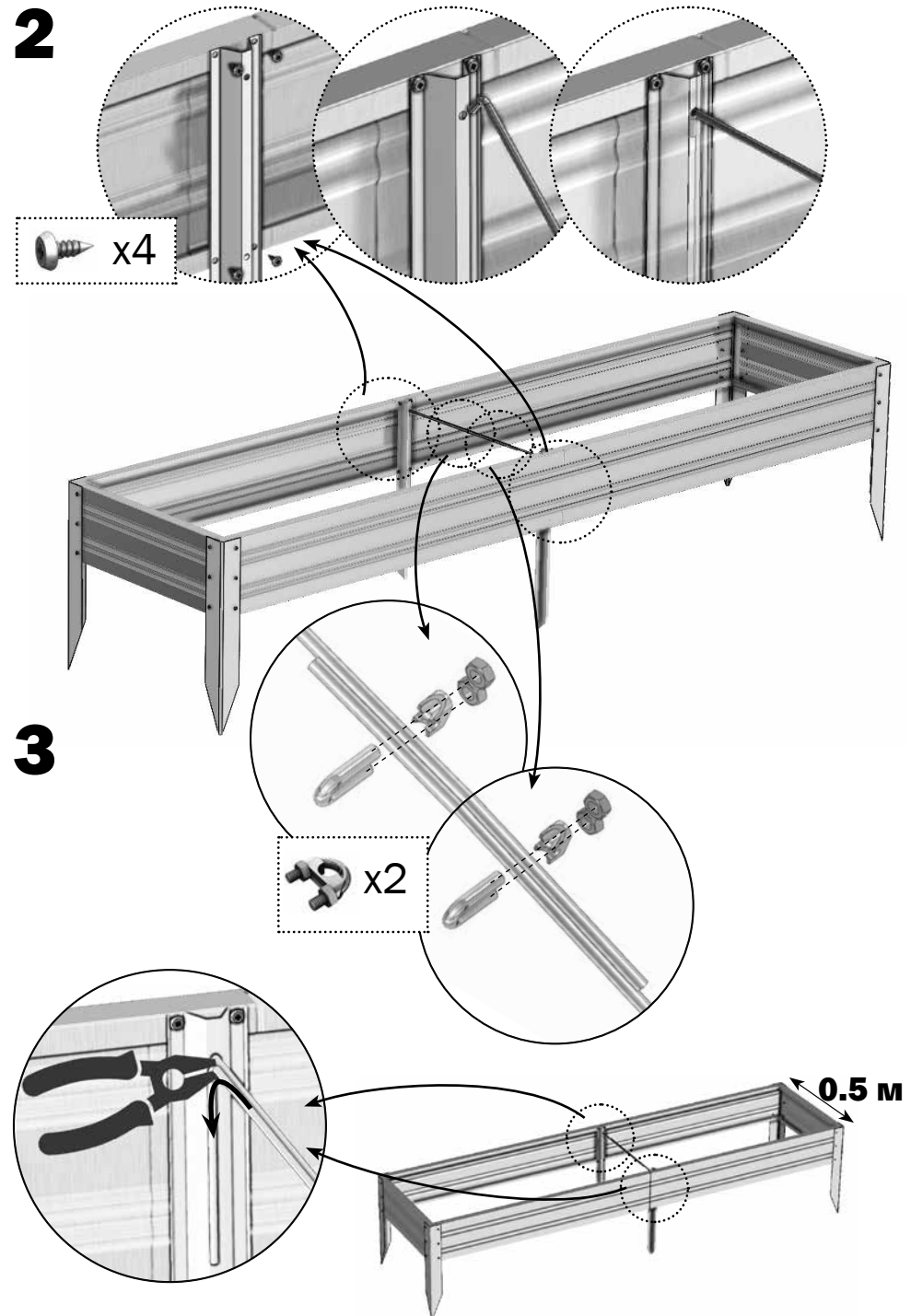
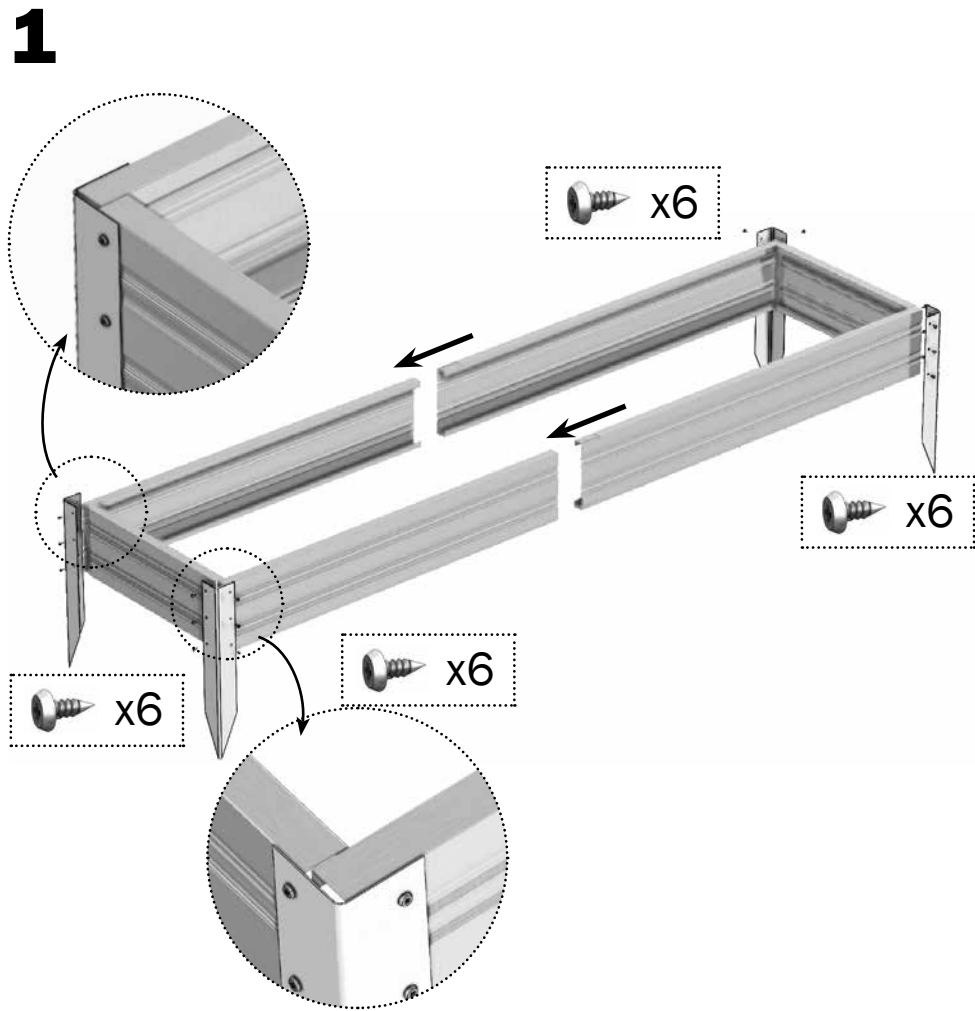
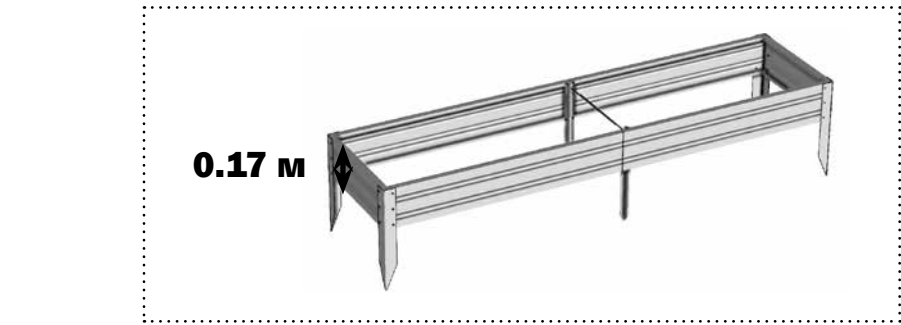


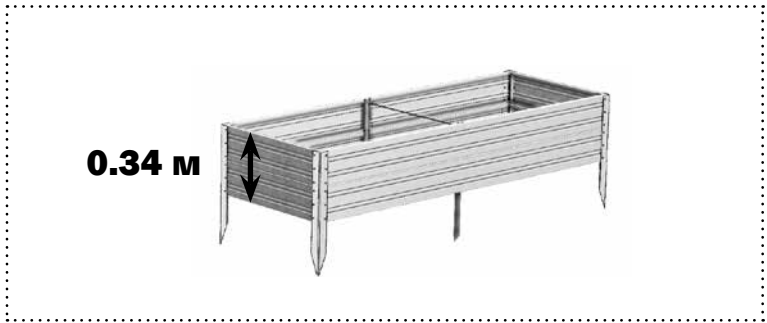


|   |    |    |    |    |    |    |    |    |     |
|---|----|----|----|----|----|----|----|----|-----|
| <p><b>2 M</b><br/><b>1 M</b></p>                    | x4 | -  | -  | x2 | x4 | x2 | x2 | x2 | x32 |
| <p><b>2 M</b><br/><b>0.7 M</b></p>                  | x2 | x2 | -  | x2 | x4 | x2 | x2 | x2 | x32 |
| <p><b>2 M</b><br/><b>0.5 M</b></p>                  | x2 | -  | x2 | x2 | x4 | x2 | x2 | x2 | x32 |
| <p><b>1 M</b><br/><b>0.7 M</b><br/><b>0.5 M</b></p> | -  | -  | -  | x2 | -  | x2 | x2 | x2 | x8  |
| <p><b>2 M</b><br/><b>0.7 M</b><br/><b>0.5 M</b></p> | -  | -  | -  | x4 | -  | x4 | x4 | x4 | x16 |

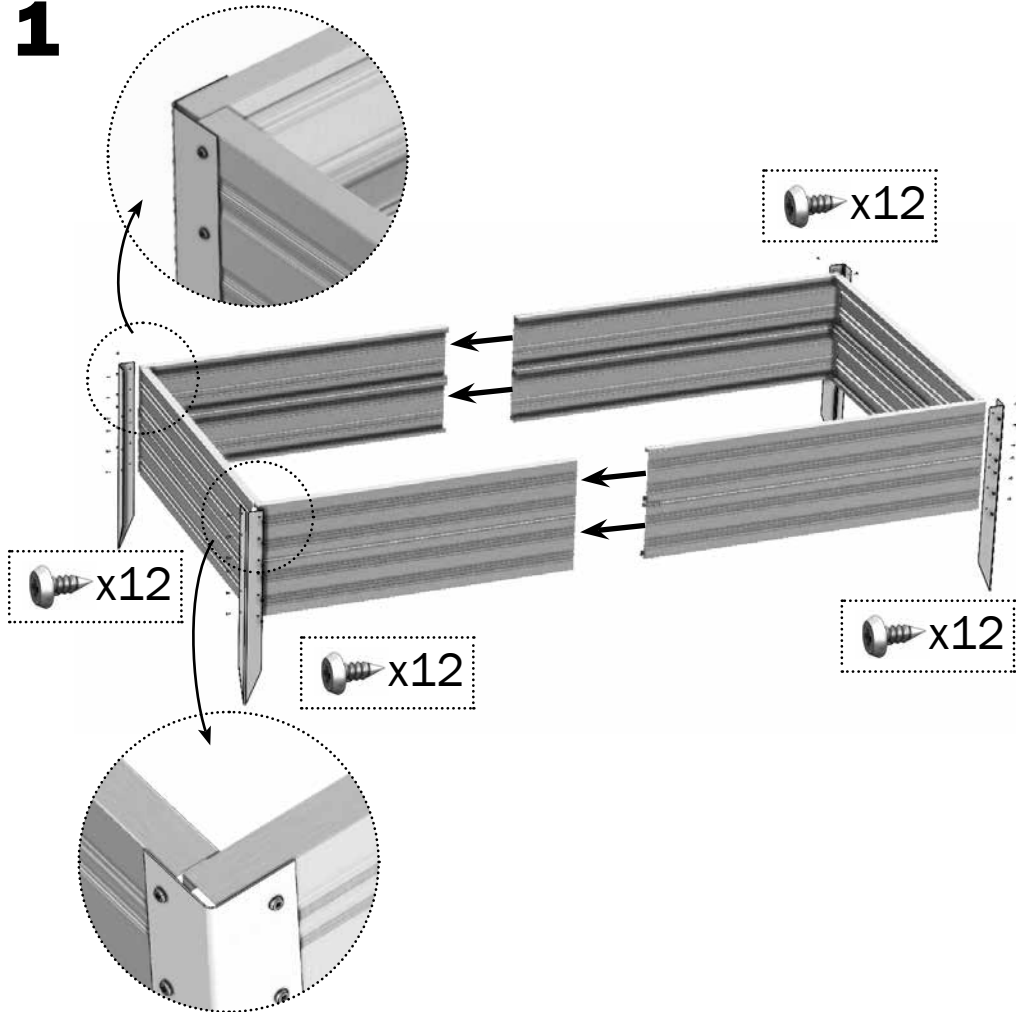


|                            |    |    |    |    |    |    |    |    |     |
|----------------------------|----|----|----|----|----|----|----|----|-----|
| <p>2 m 1 m</p>             | x8 | -  | -  | x4 | x4 | x2 | x2 | x2 | x64 |
| <p>2 m 0.7 m</p>           | x4 | x4 | -  | x4 | x4 | x2 | x2 | x2 | x64 |
| <p>2 m 0.5 m</p>           | x4 | -  | x4 | x4 | x4 | x2 | x2 | x2 | x64 |
| <p>1 m 1 m 0.7 m 0.5 m</p> | -  | -  | -  | x4 | -  | x2 | x2 | x2 | x16 |
| <p>2 m 1 m 0.7 m 0.5 m</p> | -  | -  | -  | x8 | -  | x4 | x4 | x4 | x32 |

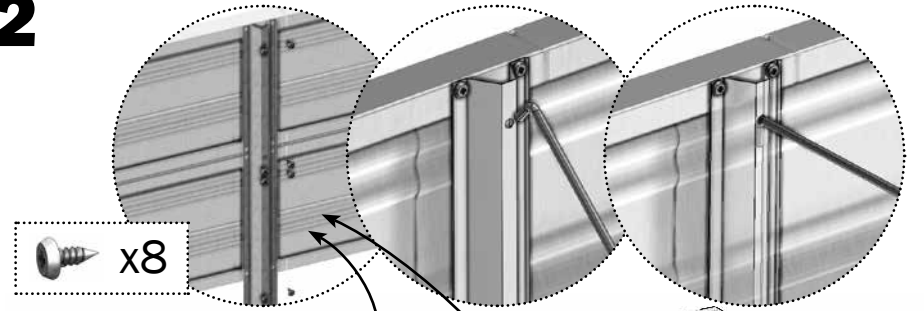




**1**



**2**



**3**

